

# Octal Sockets – 8 and 11 Pin

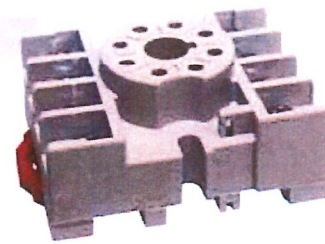
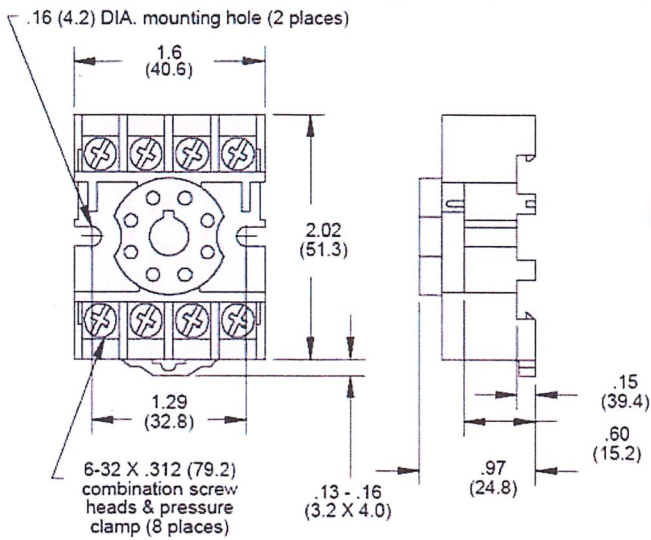


The 8 & 11 pin screw terminal sockets provide DIN rail or panel mounting options. The pressure clamp screw terminals holds wires mechanically secure and provide excellent electrical connections. Terminals accept up to two # 12 AWG wires. One piece stamped metal interconnections. No welded or soldered connections.

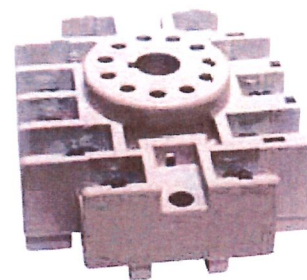


## Outline Dimensions Dimensions Shown in inches & (millimeters)

### 8 Pin Octal

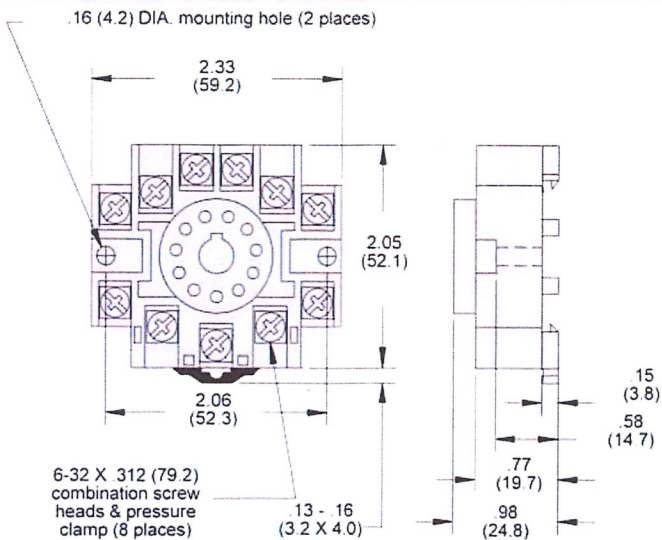


8 Pin Socket

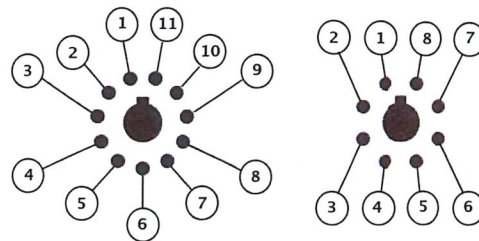


11 Pin Socket

### 11 Pin Socket



### Wire Diagram (Top View)



**Important Note:**  
Struthers-Dunn Sockets are designed and manufactured to hold the corresponding Plugs used on Struthers-Dunn relays without the need for Retaining Clips.

### Part Number Chart

Part Numbers	Style	Weight (Grams)
SK-CIR8-DS	8 Pin octal socket, panel / DIN mount, screw terminals	42.3
SK-CIR11-DS	11 Pin octal socket, panel / DIN mount, screw terminals	56.0